



TD-MIXVENT

5211306500 - TD-350/125 *220-240V 50* RE - IN LINE DUCT FANS



Range of low profile in-line mixed flow duct fans manufactured in tough reinforced plastic (from 160 to 800 models) or with metal casing steel finished in a tough epoxy-polyester paint coating (from 1000 to 6000 models). The unique design of the support bracket allows the motor and impeller assembly to be fitted or removed without dismantling the adjacent ducting.

Motors

IP44, Class B, with ball bearings and safety thermal overload protection.

Suitable for voltage speed control. Three phase models adjustable by inverter control.

Brand S&P model TD-350/125 *220-240V 50* RE for an airflow 326 m³/h and static pressure 1,04 Pa.

Theoretical Working Point

Airflow	320 m ³ /h
Static Pressure	1,00 Pa
Temperature	20 °C
Altitude	0 m
Density	1,2 kg/m ³
Frequency	50 Hz
Voltage	1-230V-50Hz

Working Point

Airflow	326 m ³ /h
Static Pressure	1,04 Pa
Dynamic pressure	32,8 Pa
Total Pressure	33,8 Pa
Input power	0,026 kW
Outlet speed	7,4 m/s
Fan speed	2048 rpm
Specific Fan Power	0,28 W/l/s
Specific Fan Power reg	0,28 W/l/s

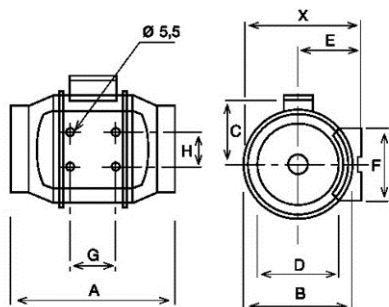
Construction

Discharge diameter	125 mm
Fan size	125
Weight	2,00 kg

Motor Characteristics

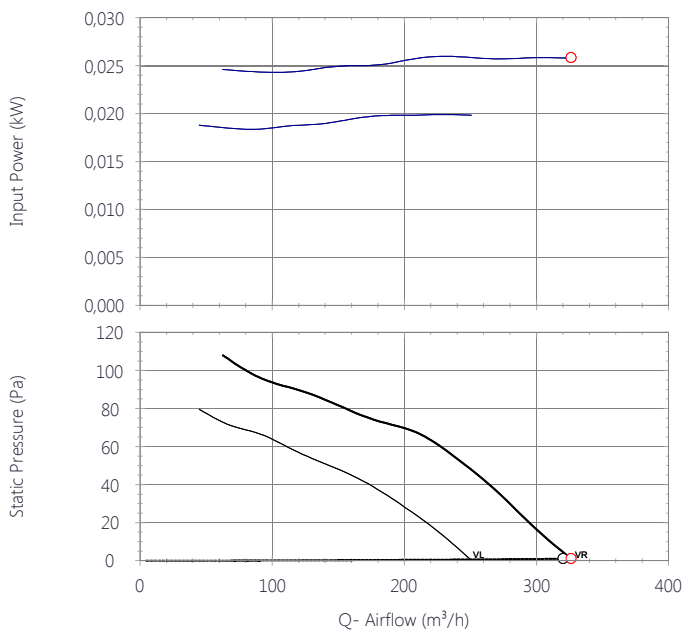
Number of poles	2
Voltage	1-230V-50Hz
Maximum absorbed current	0,1 A
IP Rating	IP44
Motor insulation class	B

Drawing



X	A	B	C	D	E	F	G	H
188	258	176	115	123	100	90	80	60

Performance Chart



Sound Performance

	63	125	250	500	1k	2k	4k	8k	Overall
Inlet (LwA)	35	47	46	53	54	50	41	33	58
Inlet LpA @ 1m	24	36	35	42	43	39	30	22	47
Outlet (LwA)	33	45	49	54	55	50	41	33	59
Outlet LpA @ 1m	22	34	38	43	44	39	30	22	48
Breakout (LwA)	33	46	46	47	46	45	33	24	53
Breakout LpA @ 1m	22	35	35	36	35	34	22	13	42

